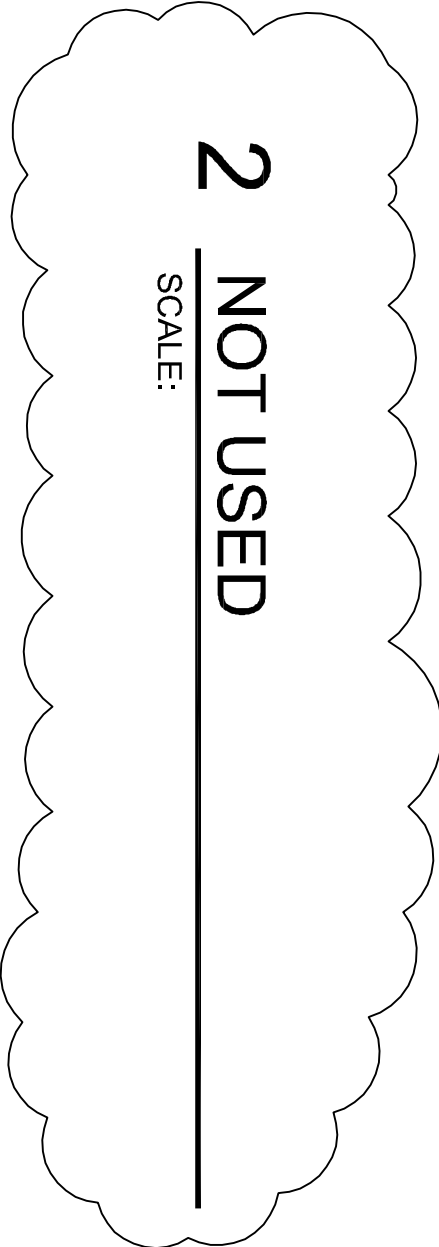
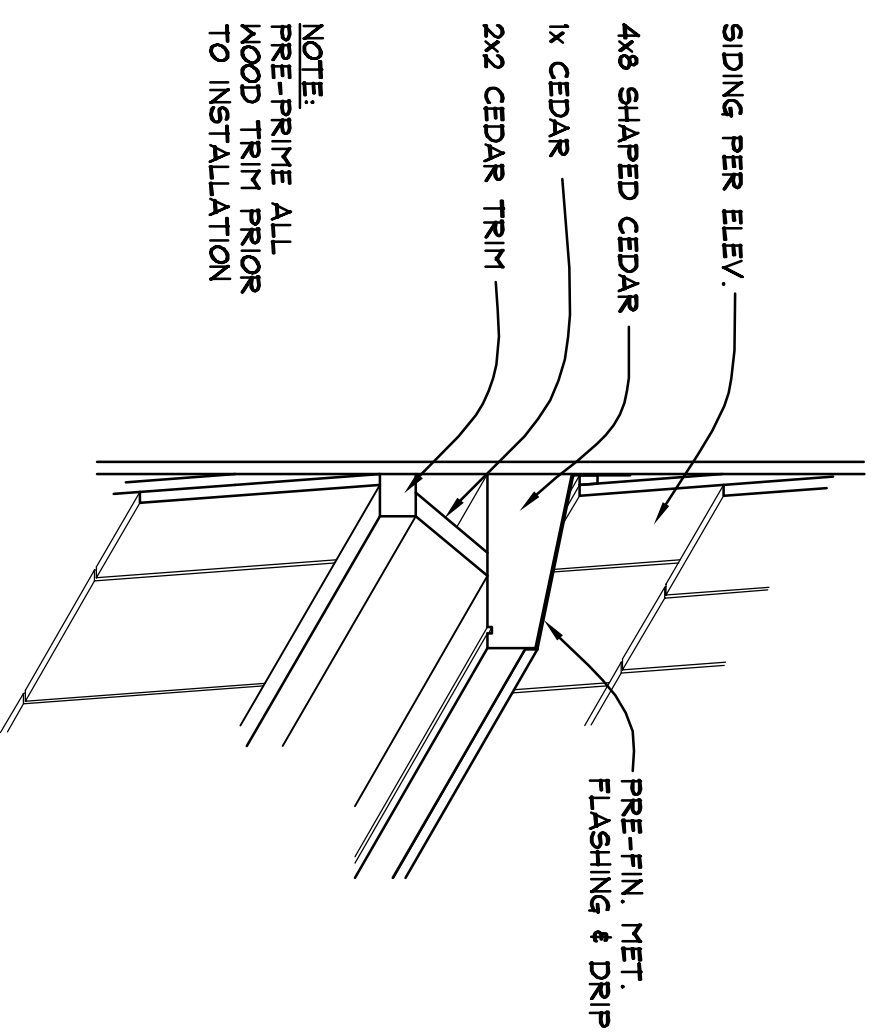


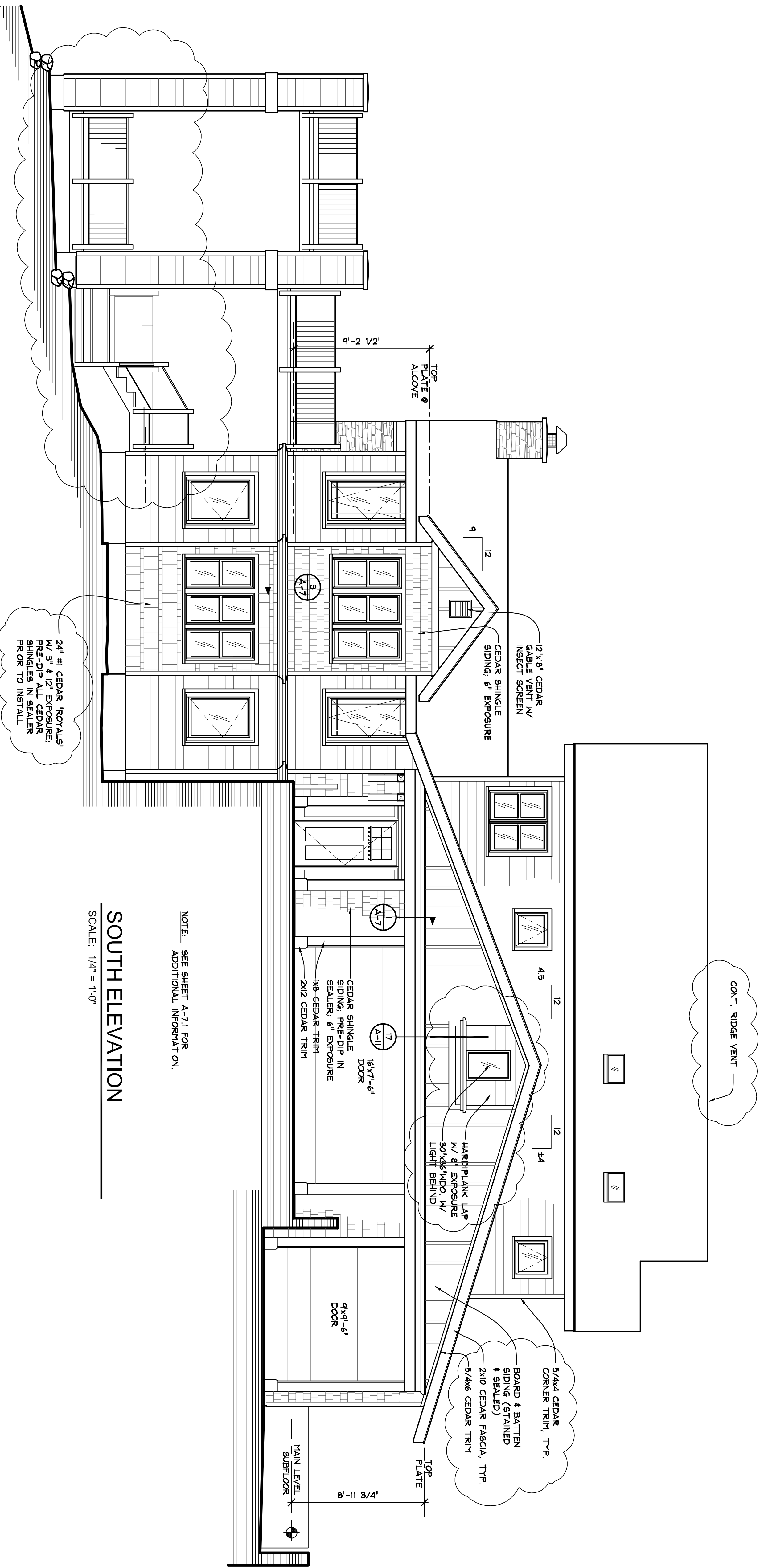
1 DETAIL
SCALE: 1 1/2" = 1'-0"



2 NOT USED
SCALE:



3 DETAIL
SCALE: 1 1/2" = 1'-0"



NOTE: SEE SHEET A-7/1 FOR ADDITIONAL INFORMATION.

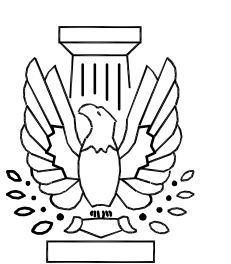
SOUTH ELEVATION

SCALE: 1/4" = 1'-0"

BUILDING DESIGN BY ROBERT MUELLER

DAHLBERG ARCHITECTS

ARCHITECTURE & PLANNING
P.O. BOX 912 • COEUR D'ALENE, IDAHO • 83816
TEL: 208.765.2639 FAX: 208.765.4693



COWPER RESIDENCE

865 E. PINE RIDGE DRIVE
GOTHAM BAY, LAKE COEUR D'ALENE
HARRISON, IDAHO

EXTERIOR ELEVATIONS - SOUTH

PROJ. NO.: 0722
DATE: 5.14.09
DRAWN BY: KPVCC
CHECKED BY:
REVISION:
OWNER REVISIONS: 8.21.09

A-7