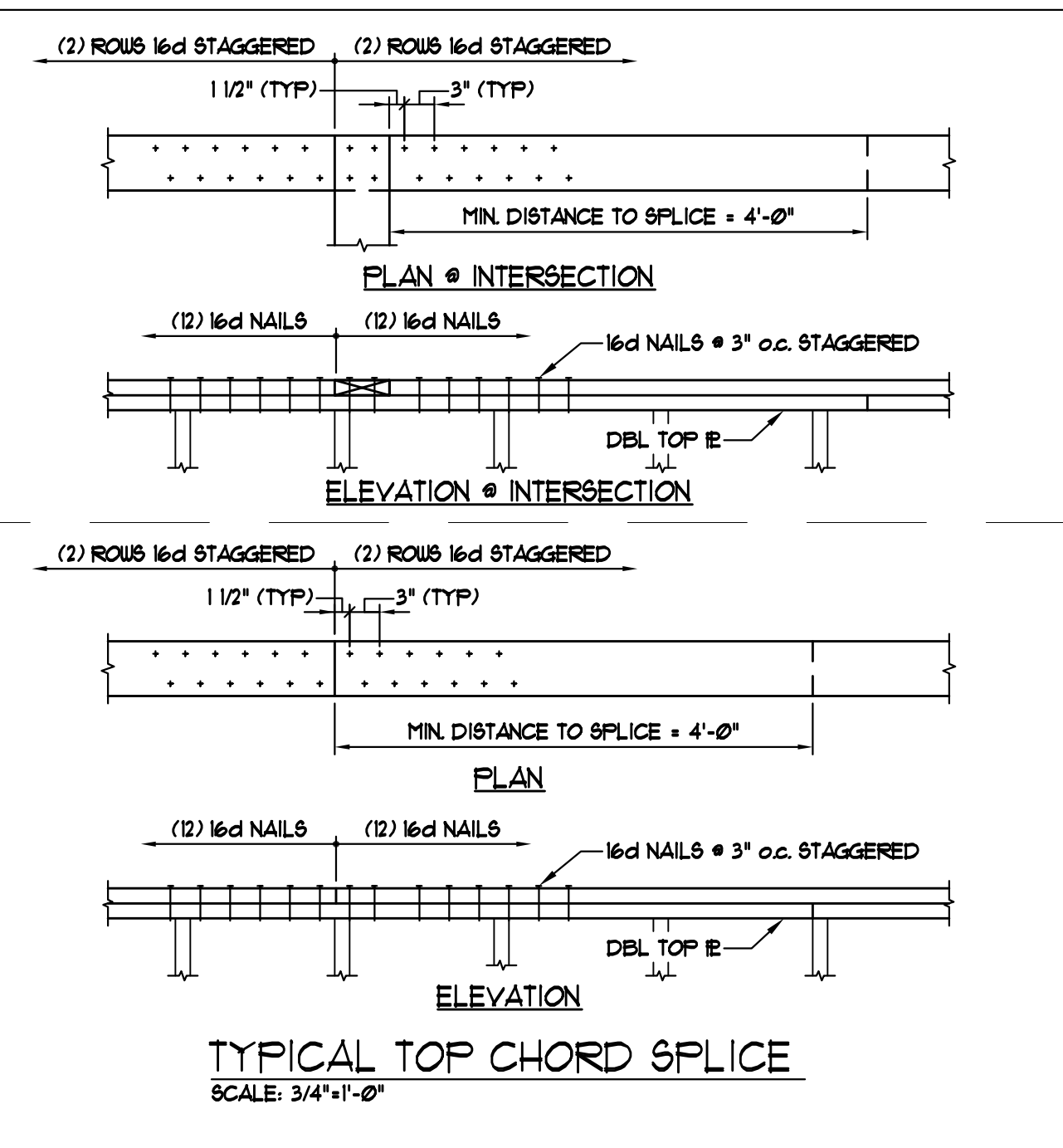
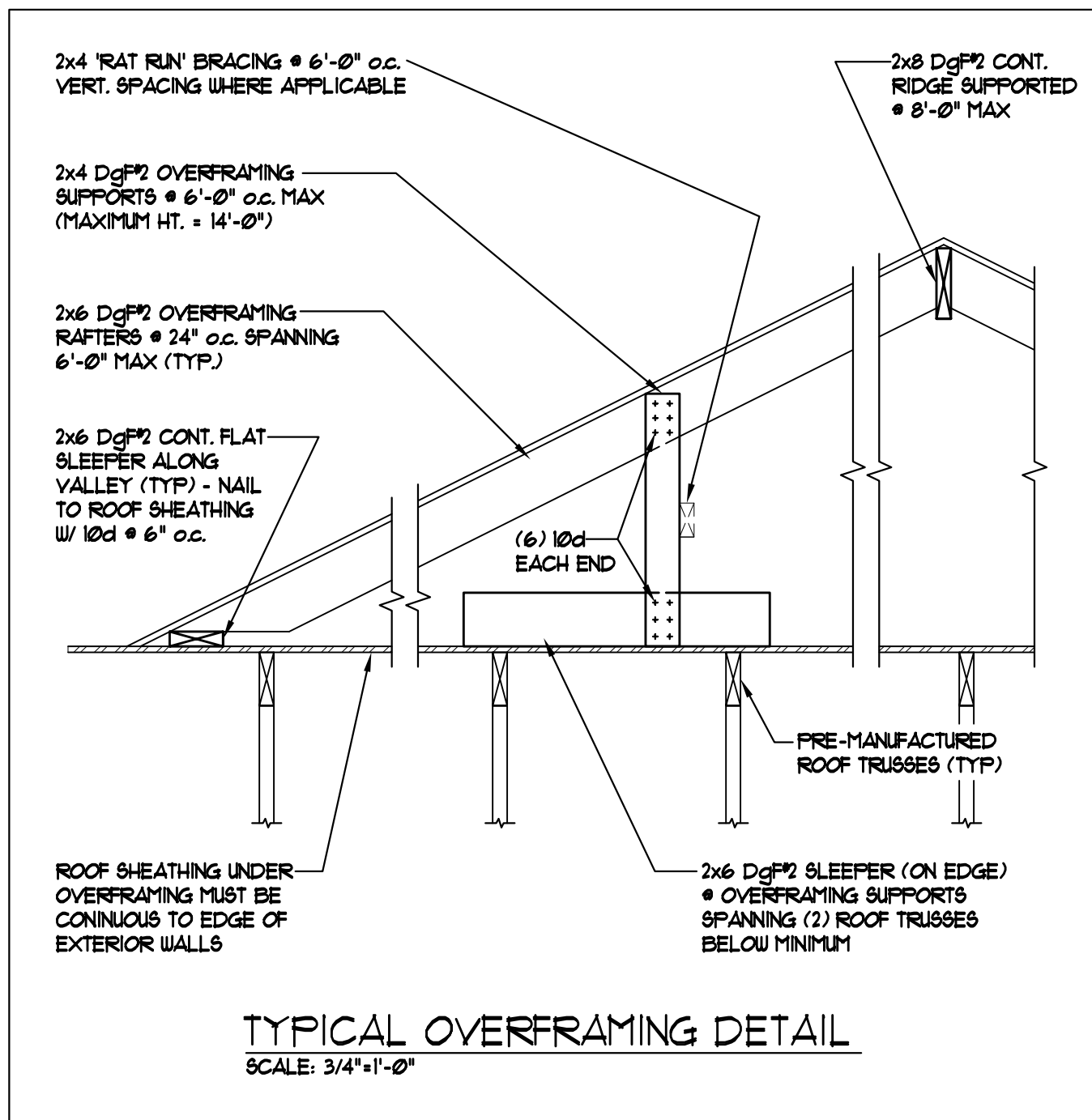
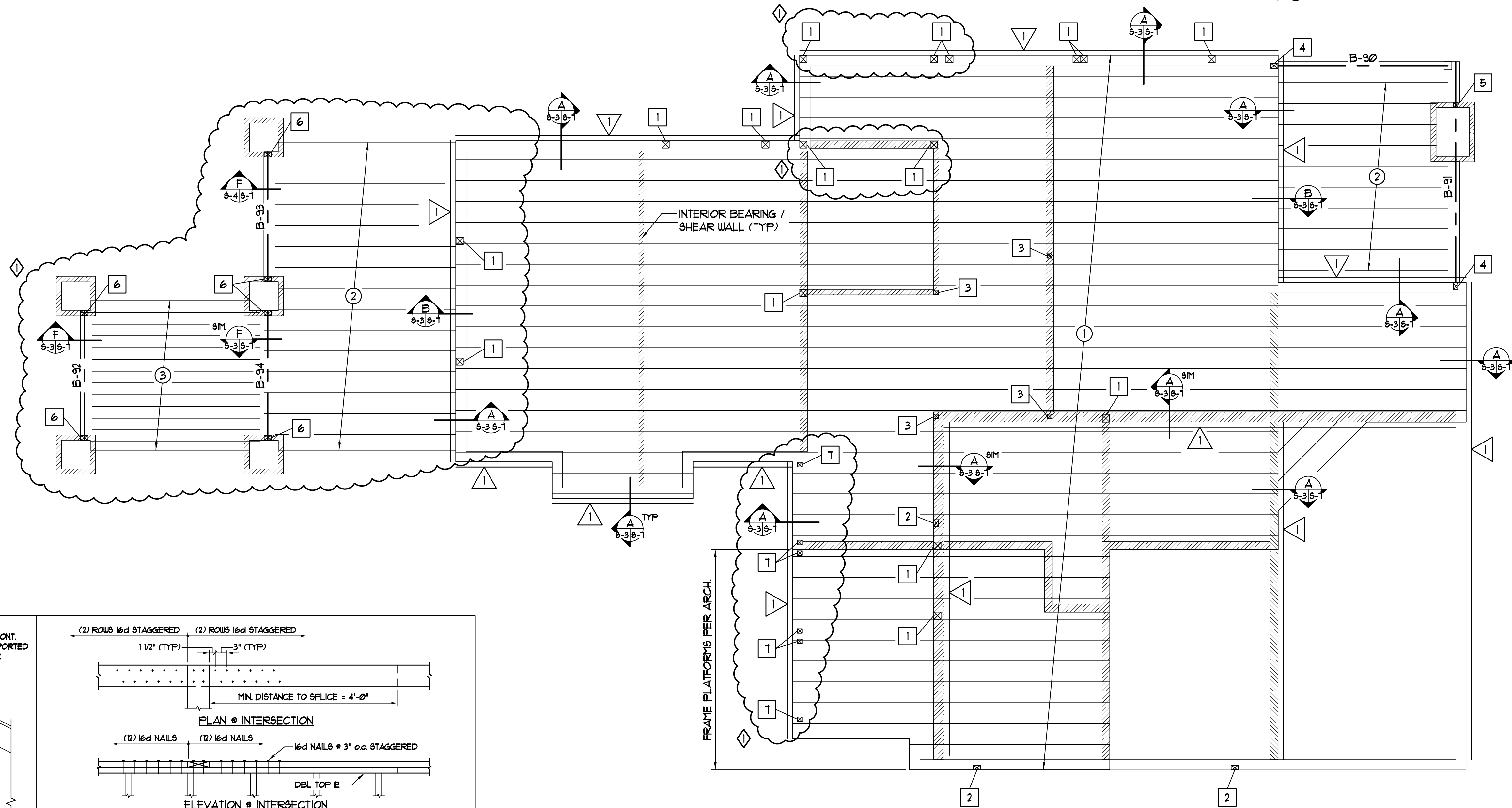


MARK	JOIST	NOTES
1	11 7/8" TJI 110's @ 16" o.c.	HANG W/ SIMPSON ITT1100 WHERE APPLICABLE
2	2x10's DgF#2 @ 16" o.c. (WEATHERPROOFED)	HANG W/ SIMPSON LB210 WHERE APPLICABLE
3	2x10's DgF#2 @ 9" o.c. HOT TUB DECK JOISTS (WEATHERPROOFED)	HANG W/ SIMPSON LB210 WHERE APPLICABLE

MARK	BEAM MEMBER	COMMENTS
B-90	4x10 DFL No. 2 (WEATHERPROOFED)	HANG FROM B-91 W/ SIMPSON HUCG410
B-91	4x10 DFL No. 2 (WEATHERPROOFED)	14'-1" LONG ± (VERIFY)
B-92	5 1/8" x 9" GLB 24F-10E WS	WEATHERPROOFED
B-93	5 1/8" x 9" GLB 24F-10E WS	WEATHERPROOFED
B-94	5 1/8" x 9" GLB 24F-10E WS	WEATHERPROOFED

MARK	COL. MEMBER	COL. CAP CONNECTION	COL. BASE CONNECTION
1	6x6 DgF#1	SEE FRAMING PLAN(S)	SEE FOUNDATION PLAN
2	4x6 DgF#1	SEE FRAMING PLAN(S)	SEE FOUNDATION PLAN
3	4x4 DgF#1	SEE FRAMING PLAN(S)	SEE FOUNDATION PLAN
4	4x6 DgF#1	SIMPSON ECC46	SEE FOUNDATION PLAN
5	4x4 DgF#1	SIMPSON CC44	SEE FOUNDATION PLAN
6	4x6 DgF#1	SIMPSON ECC5 1/4-4	SEE FOUNDATION PLAN
7	4x4 DgF#1 (WEATHERPROOFED)	SEE FRAMING PLAN(S)	SEE FOUNDATION PLAN



LOADS: DL = 35 psf
LL = 40 psf

LOWER FLOOR FRAMING PLAN (2180)
SCALE: 1/4" = 1'-0"



HOIT ENGINEERING
1423 E. Lacey Ave.
Hayden, Idaho 83835
(208) 772-1100

COWPER RESIDENCE
865 E. PINE RIDGE DRIVE - GOTHAM BAY
HARRISON, IDAHO

PROJ #	DATE	SCALE	DRAWN BY
06003	4/28/09	1/4" = 1'-0"	MH

revisions
8/27/08

S-3